

INSTRUCTIONS FOR USE 70-372 V04 010721

LearnBox.

Intended use:

Mobile cabinet modules for schools, colleges, seminars and further education establishments. No liability will be assumed for any use other than that intended. For use in closed premises.

Maximum load per cabinet: 150 kg. Shelves correspond to load group L75 as per DIN 68874-1.

Maximum load per materials box: 5 kg


General note on reading and retaining these Instructions:

Read these Instructions and, in particular, the safety instructions carefully before using the products and adhere to these. Keep these Instructions in a safe place for future consultation and communicate them to other users.

General note on safety:

The following symbols and notes are used in our Instructions for Use:

 **Caution!**
This symbol indicates a very important note.

 **Important!**
This symbol indicates an important note.

On the Web:

You can find these Instructions on the Web:

Standards:

Inspected in accordance with DIN EN 16121.

Scope of delivery:

The product is supplied partially/fully assembled.

Use:

Please take account of the notes on the following page.

Faults and service:

If any faults occur, please contact our Customer Service kundenservice@vs-moebel.de

Maintenance and cleaning

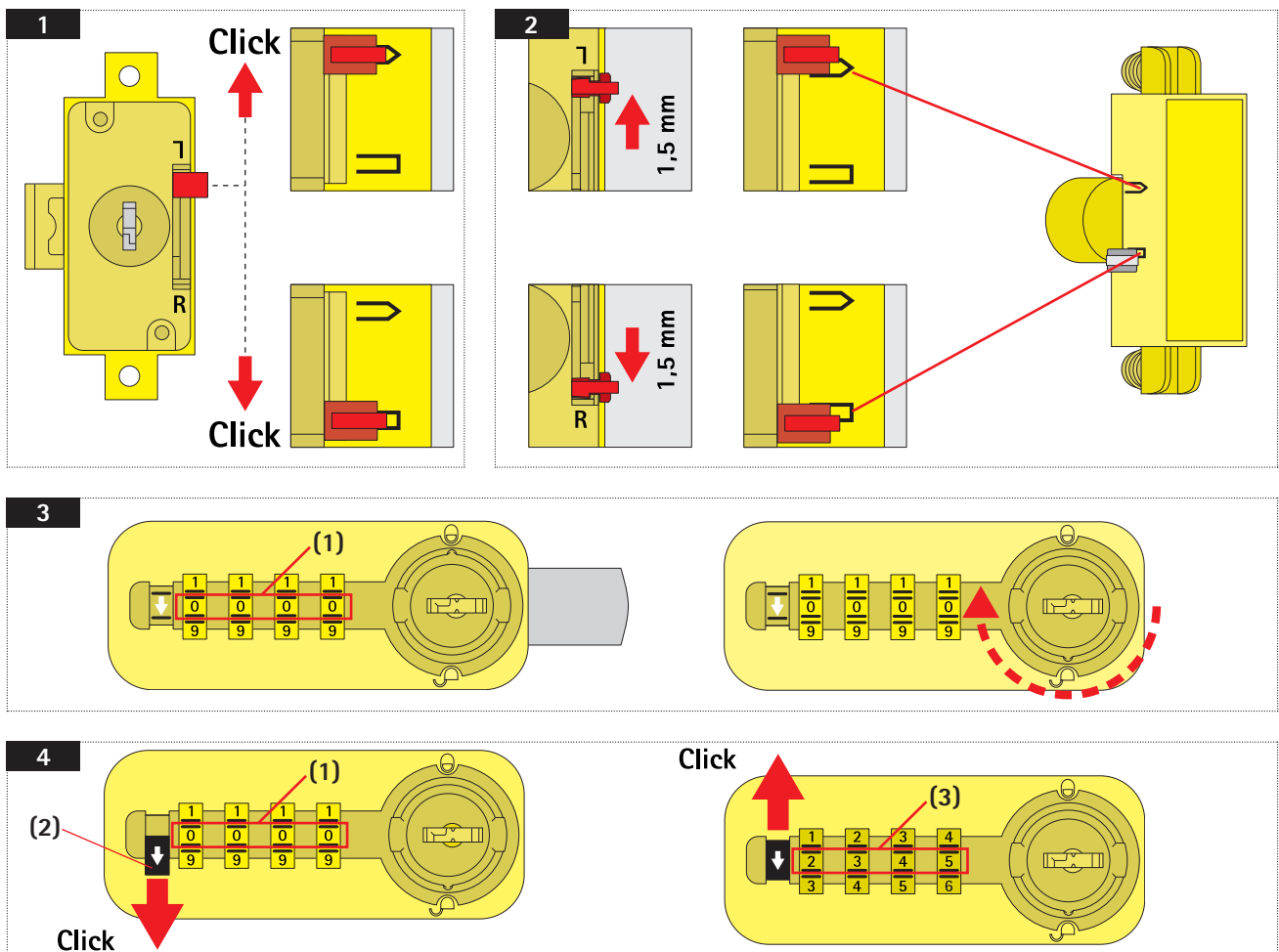
On the Web: vs.de/kataloge/reinigung/

Product transfer and Disposal:

If the product is transferred to a new owner or user then it must be accompanied by these Instructions.

The indicated electric and electronic components must not be disposed of with the ordinary waste. They must be removed from the furniture unit before the unit is sent for disposal. They are to be disposed of at authorized collection and return points.





1 Adjusting the lock

Adjusting the locking direction [Figure 1].

Adjusting the key blocking mechanism [Figure 2].

1.1 Combination locks

Combination locks are opened without the need for a key using a 4-digit code.

In the case of combination locks with a **fixed code**, the freely definable code is entered by the user once to open the unit and this setting is then retained. In the event of a change of user, the fixed code can be reprogrammed. Combination locks with **free codes** allow different users to lock the cabinet securely. A personal code must be entered again every time the cabinet is opened and closed. The automatic cancellation of the code by resetting the value to zero increases security.

1.2 Combination locks with fixed code

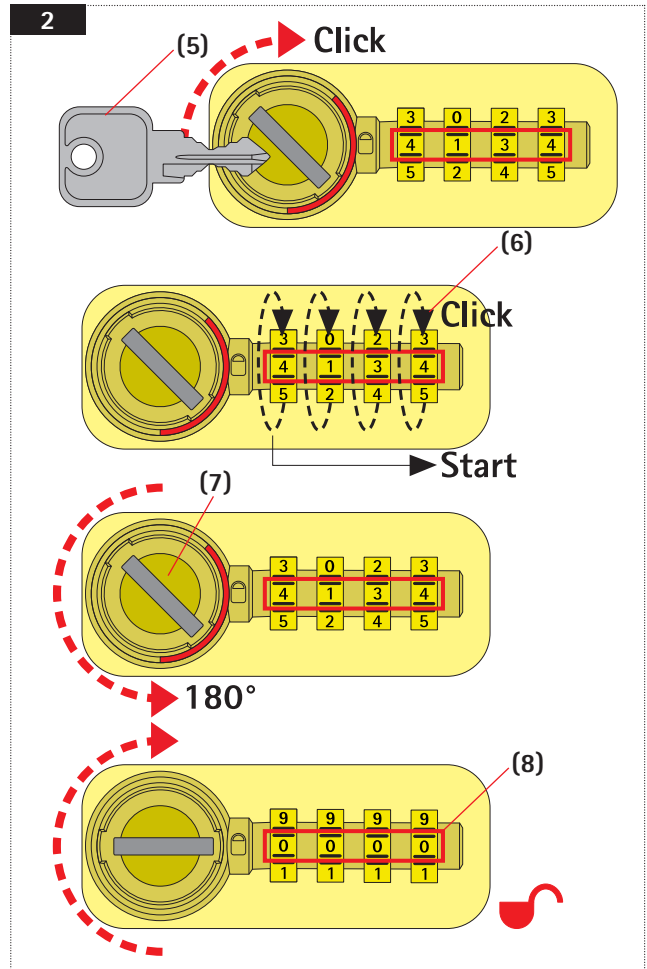
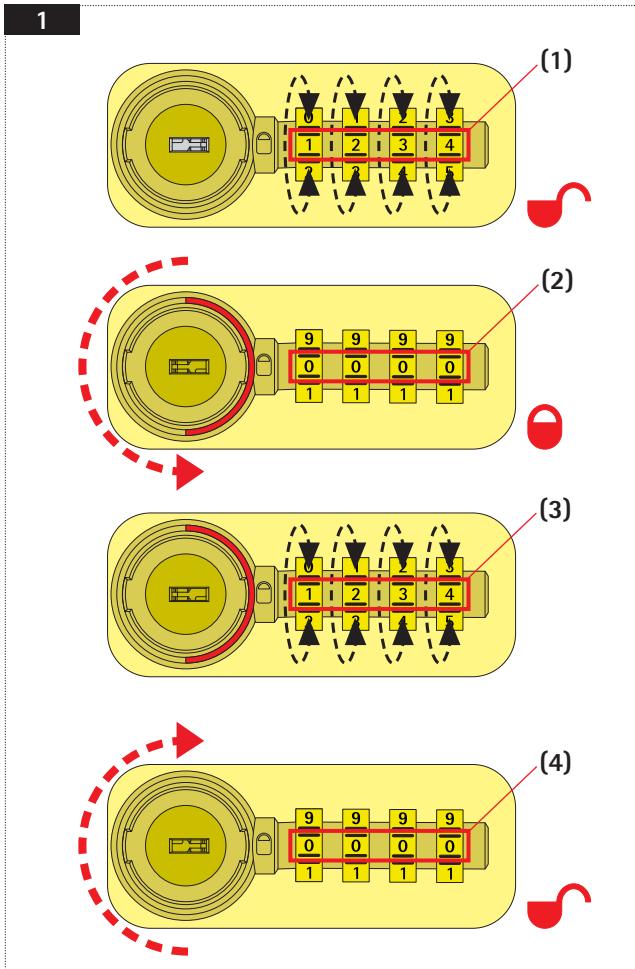
Opening the combination lock [Figure 3]

Choose the factory-set code 0000 (1) or the defined code. Open the lock by turning to the right. The digit wheels are reset to 0000 (to cancel the previous code).

Changing the code [Figure 4]

Choose the factory-set code 0000 (1) or the defined code. Press the locking bar (2) down until you hear a click. Enter the new code (3). Press the locking bar up until you hear a click. The new code is stored.

Caution! The customer must be given the manufacturer's operating instructions.



1.3 Combination locks with free code

Closing and opening the combination lock [Figure 1]

Thanks to the code clearance technology, all the digits display "0" when the cabinet is open.

Set your personal code (1) and close the lock by turning it to the left. This automatically clears the code (2).

To open the cabinet, enter your defined code (3) and unlock by turning the lock to the right.

The code is cleared again and all the digits display zero (4). The lock is now ready to be used again.

Caution! The customer must be given the manufacturer's operating instructions.

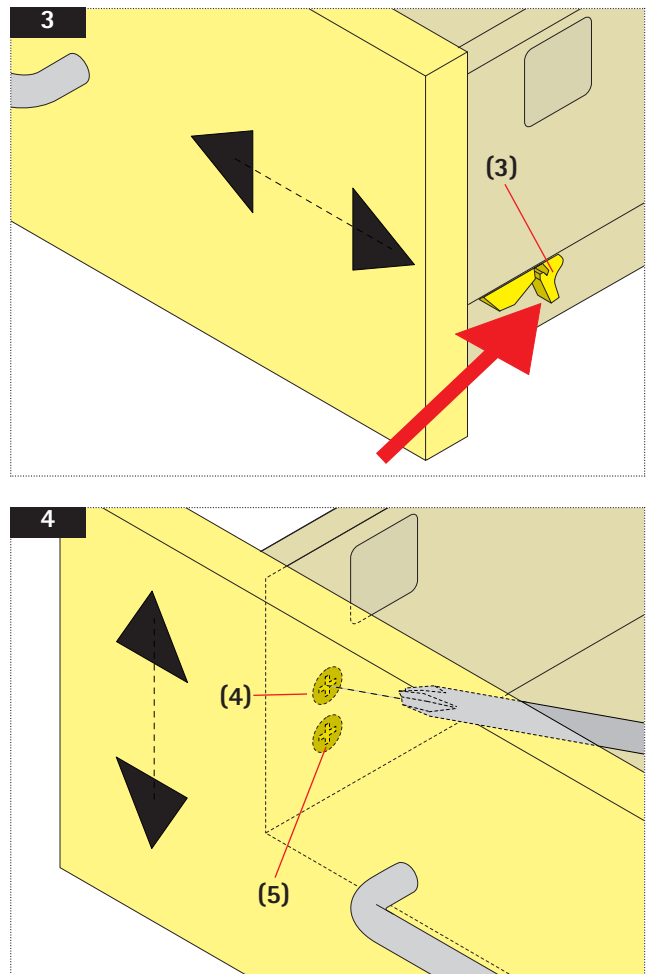
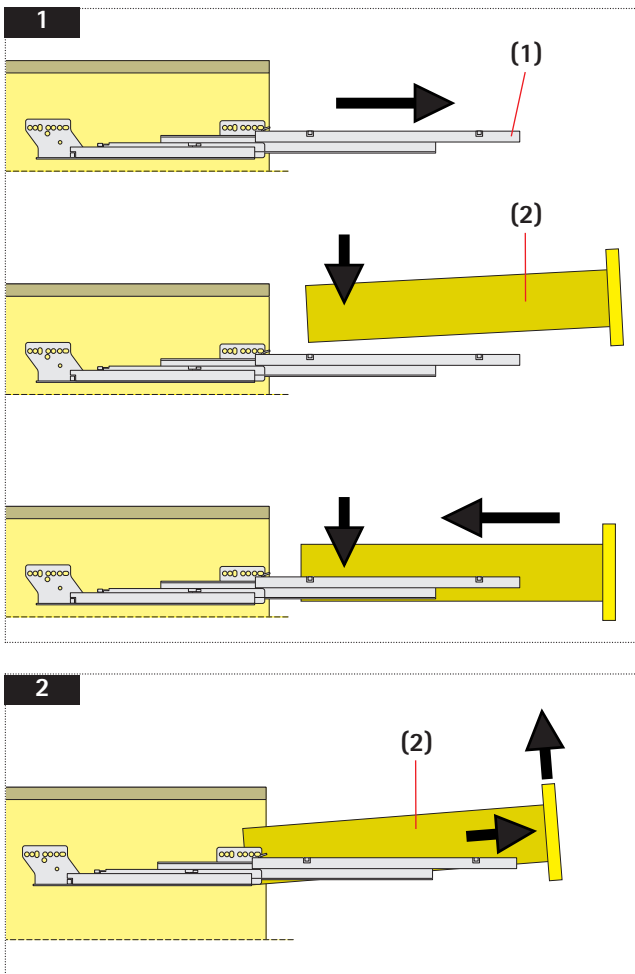
Emergency opening with code reset [Figure 2]

Important! You can obtain the emergency key from the building's administrative office.

Insert the emergency key (5) in the lock and turn it to the right until you hear a click.

Starting from the lock mechanism end, turn the digit wheels (6) until you hear a click.

Then turn the emergency key 180° to the left (7) and unlock by turning the lock to the right. Remove the emergency key. The programmed code is deleted and the digits are set to zero (8). The lock can now be used again normally.



2 Assembling and adjusting the drawers

Drawer cabinets are usually supplied assembled. The lateral alignment and height of the fronts of the drawer cabinets can be adjusted if required.

Assembling the drawers [Figure 1]

Pull out the body rail (1), position the drawer (2) on the body rail at a slight angle and push in until the drawer engages.

Disassembling the drawers [Figure 2]

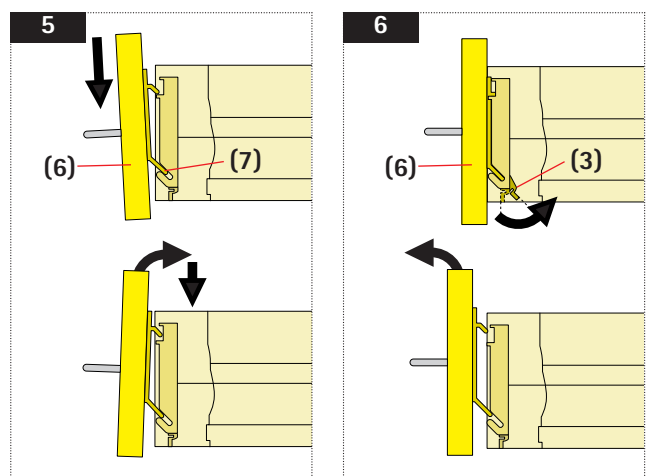
Pull the drawer (2) out completely and lift. Lifting = deactivating the pull-out protection in the open position.

Lateral adjustment of the drawer fronts [Figure 3]

Press the left and right catches (3) backwards. Lift the front slightly and push over the corrugated section (adjustment path ± 1.5 mm). Release the catch.

Height adjustment of the drawer fronts [Figure 4]

Loosen screw (4) slightly. Use the eccentric screw (5) to adjust the front to the required vertical position (adjustment path ± 2 mm). Tighten screw (4).



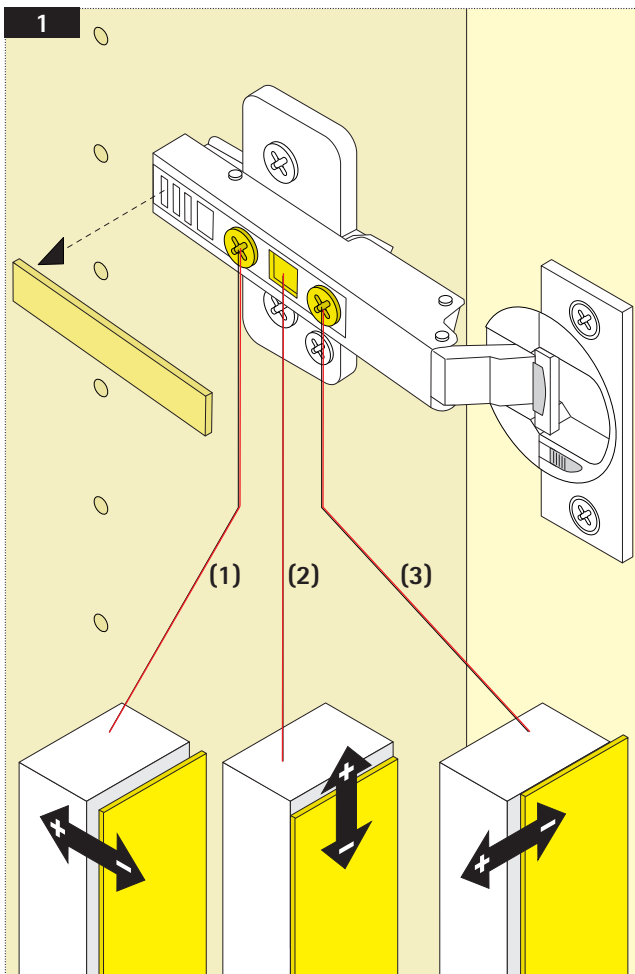
Assembling the drawer front [Figure 5]

Insert the front (6) with the mounting hook (7) in the lower, oblique slit (initial positioning ensured by mounting hook). Tilt in the front and press down.

Disassembling the drawer front [Figure 6]

Press the catch (3) away from the (6) and unhook the front.

Important! If necessary, consult the separate instructions issued by Grass for the Nova Pro drawer system.



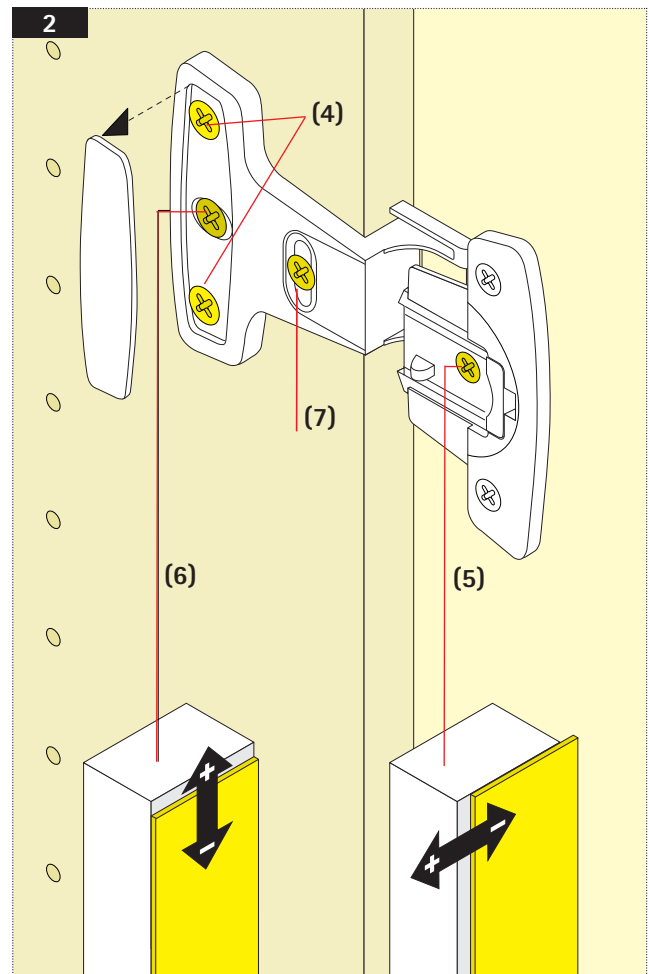
3 Adjusting the swing doors

⚠ Caution! When the doors are opened and closed, it is possible for items or fingers to become trapped between the door and the side of the unit. If the units are used in teaching establishments then their use must be supervised and the doors must be closed after use.

[Figure 1]
Opening angle up to 110°.

In the case of concealed hinges: Remove the protective caps.
Adjust as required using a screwdriver.

[Figure 1]
Adjust to
(+3 / -2.0 mm) (1)
(±3 mm) (2)
(±2 mm) (3)

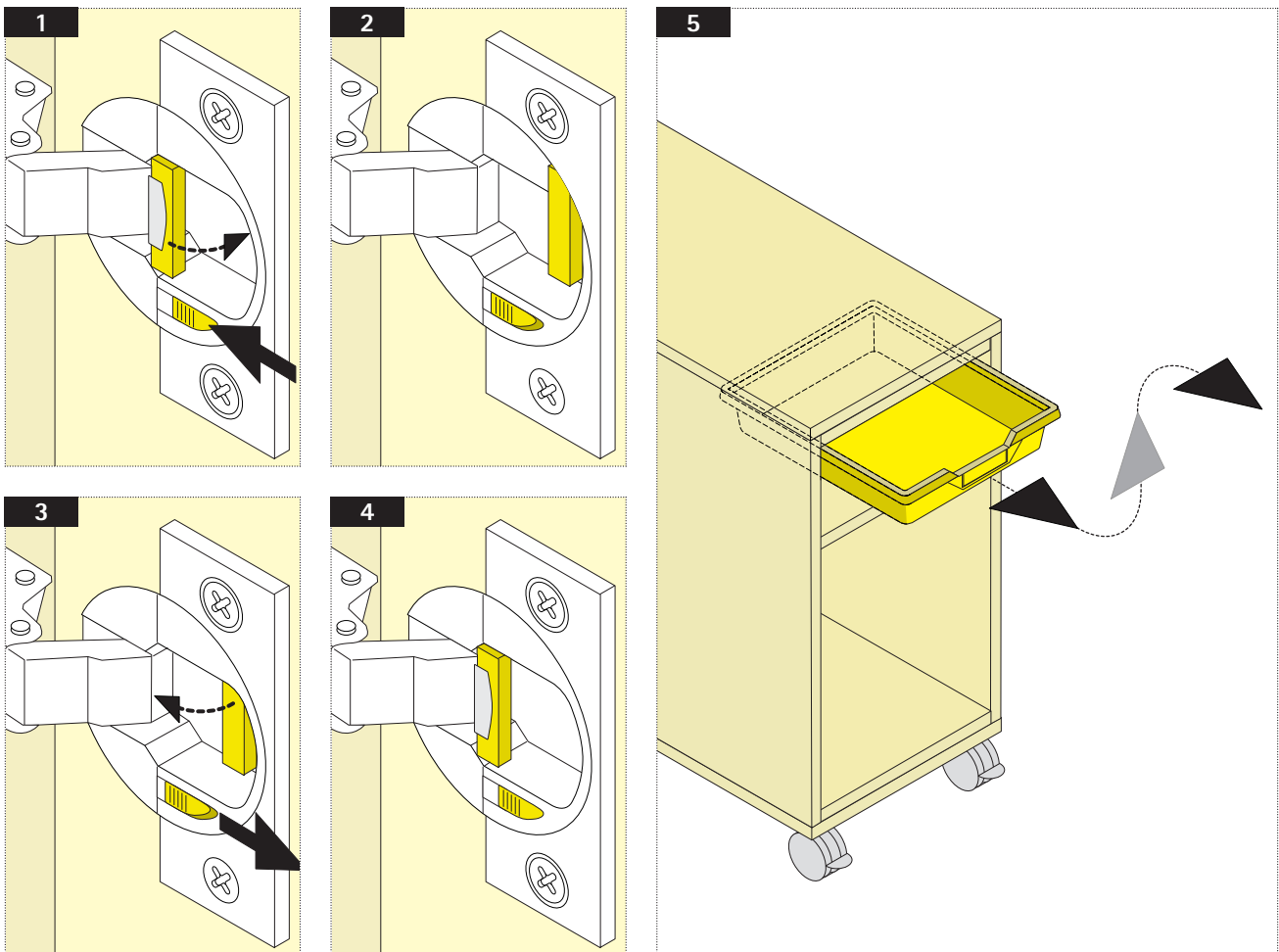


[Figure 2]
Opening angle up to 270°.

In the case of visible hinges: Release the screws (4) and remove the protective caps. Then adjust as required using a screwdriver.

[Figure 2]
Adjust to
Eccentric screw - positional adjustment (-2 mm) (5)
Eccentric screw - height adjustment (±2 mm) (6)
Third fixing screw (7)

👉 Important! When adjustment is complete, replace the protective caps.



4 Damping of swing doors

In the case of concealed hinges

Damping can be activated or deactivated at each hinge as required. Just push using the finger.

Damping off

Press slider inwards [Figure 1].
Damper folds in the next time the door is closed [Figure 2].

Damping on

Press slider forwards [Figure 3].
Damper folds forwards [Figure 4].

Caution! In the case of small doors, damping at just one hinge may be sufficient.

Caution!
Damping is active when the unit is delivered!

Caution! When the doors are opened and closed, it is possible for items or fingers to become trapped between the door and the side of the unit. If the units are used in teaching establishments then their use must be supervised and the doors must be closed after use.

5 Grattells trays:

Removing: Pull the boxes forwards as far as the stop and then lift them until they pass above the pull-out lock. You can then remove the box [Figure 5].

Inserting: Insert the boxes from above until they are correctly positioned in the guide rail. Then push them in horizontally as far as the stop.

Caution! If cabinets are equipped with materials boxes then these boxes must be fully inserted before the units are moved.
